

COMPACT E 1700/1800

Application range:

Clothing and upholstery industry as well as companies processing technical textiles.

Material:

Technical textiles, plastic films as well as normal and very sensitive textiles (woven and knit fabrics).

Special features:

Bar-led motorized roll-unwinding synchronized with spreading speed. High-precision and low-strain spreading even with most delicate fabrics.



Spreading modes:



(certain modes require optional supplies)

Versions

Compact E 1700

Spreading machine with dancer-bar controlled roll-drive by motorized unwinding-bar. Locked unrolling-pallet for one-way and zig-zag spreading.

Compact E 1800

Spreading machine with dancer bar controlled roll drive by motorized unwinding bar. Turntable unrolling pallet for face-to-face spreading.

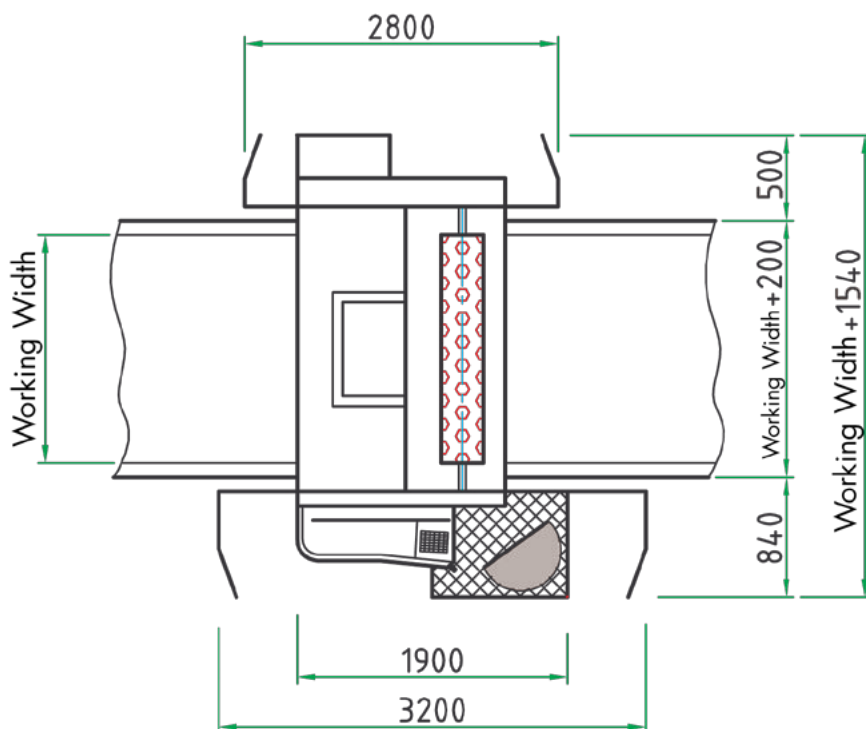


Optional supplies

- motorized roll-centre drive for unwinding bar
- Dancer bar control for tension free spreading of sensitive fabrics
- Feed-roller with permanent drive and synchronisation of spreading speed by encoder with adjustable feeding-speed
- Wind blind for higher spreading speed

(generic features of basic version pls. see introduction)

Machine footprint



Technical data

Working widths:	1600 / 1800 / 2000 mm (other widths on request)
max. roll diameter	500 mm
max. roll weight	80 kg
max. carriage speed	120 m/min
max. ply height	180 mm
Supplies:	
Compressed air (optional)	min. 6 bar
Electricity	230 / 400 Volt, 50 Hz, app. 3 kW

topcut-bullmer GmbH

Heutal 7, Industriegebiet
D-72537 Mehrstetten, Germany
Tel. +49 (0)7381 183-0, FAX +49 (0)7381 723
email: info@topcut-bullmer.com, www.topcut-bullmer.com